

# Ceramic Low Pass Filter

50Ω DC<sup>(1)</sup> to 80 MHz

## LFCN-80+



Generic photo used for illustration purposes only  
CASE STYLE: FV1206

### Maximum Ratings

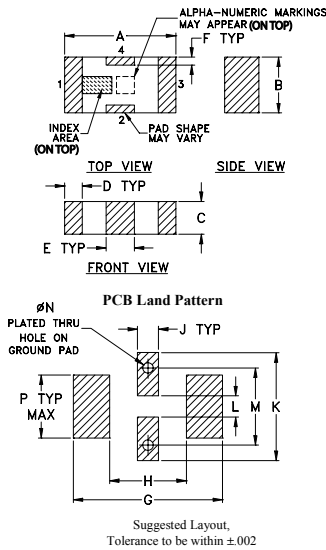
Operating Temperature	-55°C to 100°C
Storage Temperature	-55°C to 100°C
RF Power Input*	8.5W max. at 25°C

\* Passband rating, derate linearly to 3.5W at 100°C ambient. Permanent damage may occur if any of these limits are exceeded.

### Pin Connections

RF IN	1
RF OUT	3
GROUND	2,4

### Outline Drawing



### Outline Dimensions (inch)

A	B	C	D	E	F	G	
.126	.063	.037	.020	.032	.009	.169	
3.20	1.60	0.94	0.51	0.81	0.23	4.29	
H	J	K	L	M	N	P	wt
.087	.024	.122	.024	.087	.012	.071	grams
2.21	0.61	3.10	0.61	2.21	0.30	1.80	.020

### Demo Board MCL P/N: TB-270 Suggested PCB Layout (PL-137)



### Features

- excellent power handling, 8.5W
- small size
- 7 sections
- temperature stable
- LTCC construction
- protected by U.S. Patent 6,943,646

### Applications

- harmonic rejection
- VHF/UHF transmitters/receivers

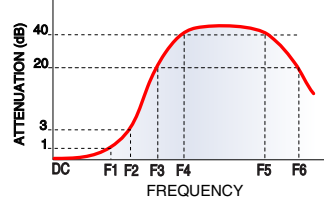
### Electrical Specifications<sup>(1,2)</sup> at 25°C

Parameter	F#	Frequency (MHz)	Min.	Typ.	Max.	Unit	
Pass Band	Insertion Loss	DC-F1	DC-80	—	—	1.0	dB
	Freq. Cut-Off	F2	145	—	3.0	—	dB
	VSWR	DC-F1	DC-80	—	1.2	—	:1
Stop Band	Rejection Loss	F3	200	20	—	—	dB
		F4-F5	225-1550	—	40	—	dB
		F6	4500	—	20	—	dB
VSWR	F3-F6	200-4500	—	20	—	:1	

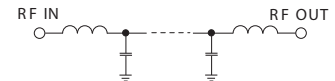
(1) In Application where DC voltage is present at either input or output ports, coupling capacitors are required.

(2) Measured on Mini-Circuits Characterization Test Board TB-270.

### Typical Frequency Response

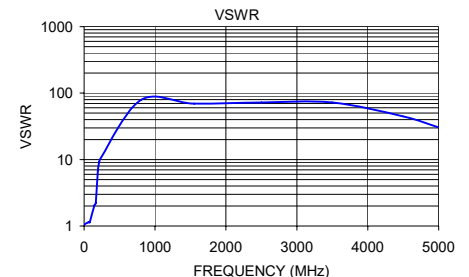


### Electrical Schematic



### Typical Performance Data at 25°C

Frequency (MHz)	Insertion Loss (dB)	VSWR (:1)
1.00	0.22	1.05
50.00	0.55	1.12
70.00	0.71	1.14
80.00	0.80	1.14
145.00	2.99	2.04
165.00	5.76	2.22
195.00	32.37	6.86
215.00	40.63	9.23
230.00	42.19	10.31
800.00	46.02	78.97
1550.00	43.17	69.49
2500.00	32.98	72.39
3500.00	30.05	72.39
4500.00	25.72	44.55
5000.00	24.34	30.49



### Notes

- Performance and quality attributes and conditions not expressly stated in this specification document are intended to be excluded and do not form a part of this specification document.
- Electrical specifications and performance data contained in this specification document are based on Mini-Circuits' applicable established test performance criteria and measurement instructions.
- The parts covered by this specification document are subject to Mini-Circuits standard limited warranty and terms and conditions (collectively, "Standard Terms"); Purchasers of this part are entitled to the rights and benefits contained therein. For a full statement of the Standard Terms and the exclusive rights and remedies thereunder, please visit Mini-Circuits' website at [www.minicircuits.com/MCLStore/terms.jsp](http://www.minicircuits.com/MCLStore/terms.jsp)

